



SPECIALIZED IN UPVC EXTRUSION PROFILES



# ECO PVC HOARDING FENCE - 750 Series

Safety • Efficiency • Sustainability

INFO@UPPERUNIONS.COM  
WWW.UPPERUNIONS.COM

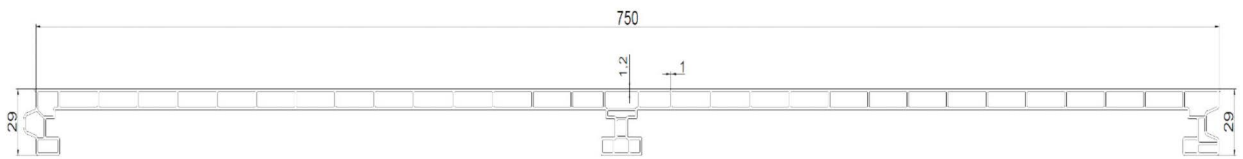


## 750 SERIES PVC FENCE

The 750 series pvc fence is an upgraded over the traditional 500 series, achieving reduced cost per unit area, improved installation efficiency, reduced material waste, and lower carbon emissions through optimized design. the 750 series pvc fence redefines value through innovation—delivering a smarter, greener, and more economical fencing solution for modern engineering.

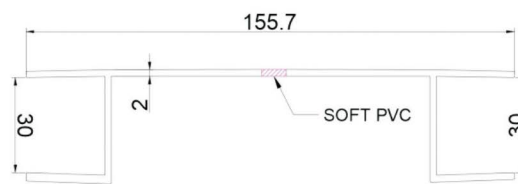
<p><b>Quick &amp; Easy Installation</b></p> <p>The 750 Series features a modular rapid-assembly design. Wider panels (750mm) combined with standardized snap-fit interfaces boost installation efficiency by up to 40%. Lightweight and easy to transport.</p>	<p><b>Cost Effective</b></p> <p>50% larger coverage per panel, unit area cost is reduced by 16.4%. Relocatable &amp; reusable: Ideal for phased projects. Fewer accessories: Clip usage reduced by 28.7%, saving time and materials.</p>	<p><b>Service &amp; Safety</b></p> <p>We ensure reliable service with quick, professional responses to client needs. Full risk assessment method statements are provided to ensure safety. 10-year anti-aging warranty 5-day delivery for per 40HQ containers 3D simulated installation guidance.</p>
<p><b>Strong &amp; Secure</b></p> <p>Panels offer high impact resistance (Izod Impact: 41 J/m). Reinforced with 50×50 galvanized square tube for extreme stability and safety in all site conditions.</p>	<p><b>Clean &amp; Professional</b></p> <p>Provides a clean, attractive surface that conveys a professional image. Supports dual-color co-extrusion for virtually unlimited color customization., replacing traditional spraying process, greatly saving labor and protecting the environment.</p>	<p><b>UKCA Certificate</b></p> <p>750 fencing have been verified by an independent third-party agency against the key UK standard BS 1722-14:2017 and have obtained a certificate of con-formity.</p>
<p><b>Flexible &amp; Versatile</b></p> <p>The smart corner system allows stepless adjustment from 0° to 180°, adapting perfectly to complex terrain. Modular design covers any length and fits around site features with ease.</p>	<p><b>Eco-Friendly</b></p> <p>7.7% lower carbon footprint through improved material efficiency and logistics. Sustainable materials: Incorporates recycled plastics and is 100% recyclable.</p>	<p><b>SGS Test Report</b></p> <p>The Pv'C hoarding fence is a building material with reliable physical performance and excellent flame retardancy.</p>

## 1. MAIN PANEL SYSTEM



the new pvc hoarding fence designed with a width of 750mm and a thickness of 29mm, increases container loading efficiency by 40% and significantly reduces logistics costs.

## 2. SMART CORNER SYSTEM



co-extrusion with stepless 0°-180° adjustment breaks free from the traditional 90° limitation, accommodating installation on complex terrain.

## 3. INTEGRATED TRIM SYSTEM



The integrated trim provides decorative, dust-proof, waterproof and impact-proof protection

## key technical upgrade highlights

- 1.1 innovative surface co-extrusion: breaks traditional monochrome limitations, enables multi-color customization for diverse aesthetic needs
- 1.2 eco-composite process: anti-aging surface layer fused with recycled core material, enhancing durability while reducing carbon footprint
- 1.3 integrated system design: professional caps, corners, and auxiliary profiles ensure structural integrity and visual harmony
- 1.4 modular rapid assembly: standardized snap-fit interfaces enable seamless joining, cutting installation complexity by 40%



## 750 Hoarding Fence Technical Data

S. NO	Test	Result	Unit	Standard
01	Product	PVC 750 HoardingFence		
02	Colour	White/Gray/Blue and other customized colors)		
03	Specific Gravity	1.69	Gm/cc	ASTM D 792-20
04	Tensile Strength	30.8	Mpa <sup>2</sup>	ASTM D 638-22
05	Elongation at Break	100	%	ASTM D 638-22
06	Flexural Strength	65.3	Mpa <sup>2</sup>	ASTM D 790-17
07	Izod Impact Strength	118	J/M	ASTM D 256-23
08	Oxygen Index	42.4	%	ASTM D 2863-23
09	Rockwell Hardness	90.4R		ASTM D 785-23
10	Long Term Heat Resistance	No Effect		ASTM D 794
11	Deflection Temperature under load	59.8	°C	ASTM D 648-18
12	Flame retardant grade	B1(Fs≤150mm within 60 s)		GB/T 20284-2006
13	Smogra Level	S1 (SMOGRA≤30m <sup>2</sup> /s <sup>2</sup> ;TSP≤50m <sup>2</sup> )		GB/T 20284
14	Toxic Classification	T1 (Quasi-Safe Grade)		GB/T 20285

## Material Safety Data

01	Product Identification	Product Code: UU-750
02	Information on Ingredients	PVC resin, Titanium Dioxide, Lead free Ca/Zn stabilizers, CaCO <sub>3</sub> , Impact Modifier, Lubricant, UV absorber
03	Hazards Identification	The product is not considered to be a hazardous substance for the environment
04	First Aid Measures	Eye Contact: No Effect Skin Contact: No Effect
05	Handling & Storage	No particular care is required in handling
06	Disposal Consideration	This product is 100% recyclable and reusable.
07	Transport Information	No dangerous goods according to the regulation.

## 750 Hoarding Fence Accessories



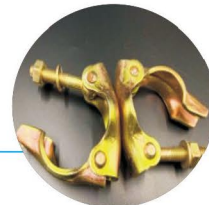
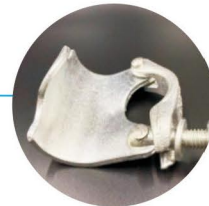
Weight	130g
Screw	M10*25/35
Purpose	Suit 48mm steel Tube
Surface Treatment	Galvanization



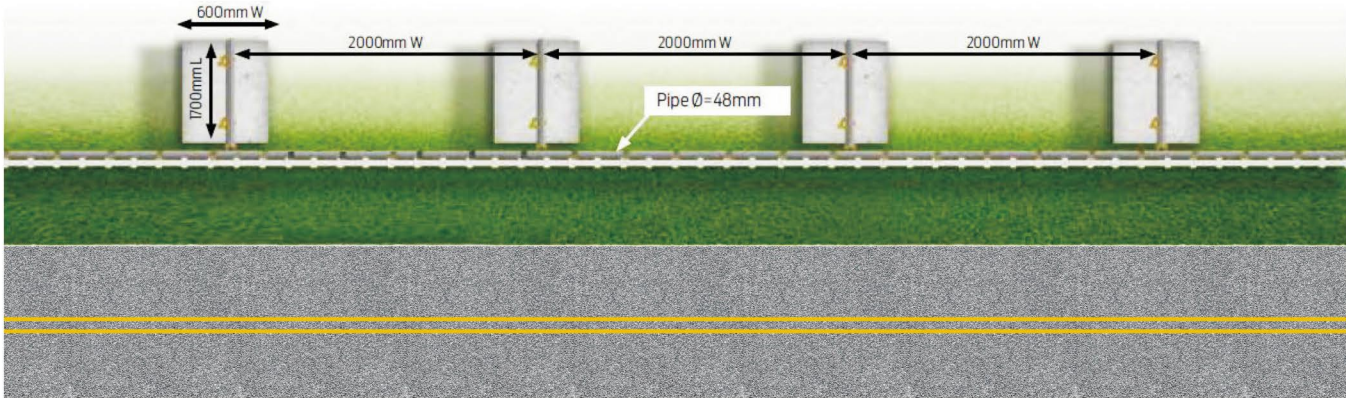
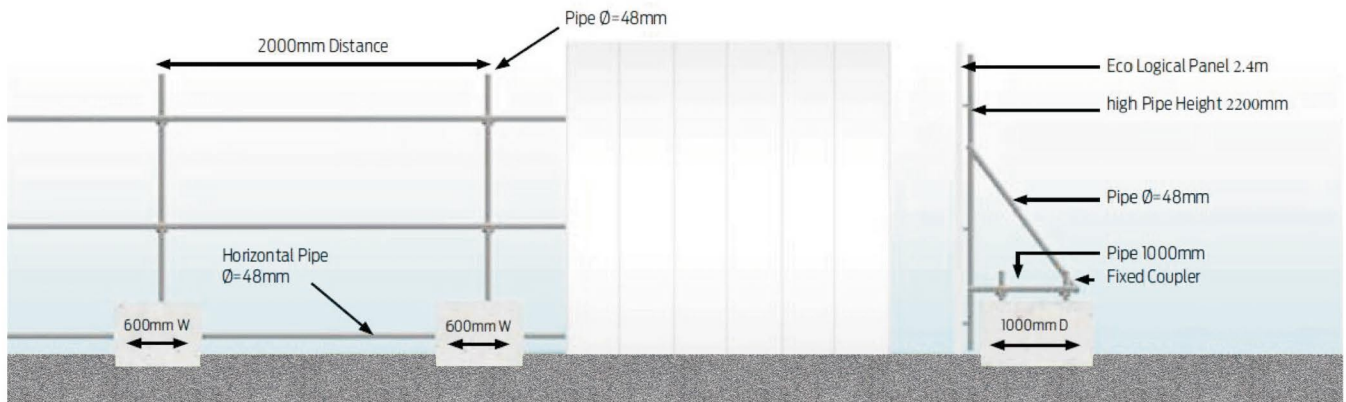
Weight	630g
Screw	M12*50
Purpose	Suit 48mm steel Tube
Surface Treatment	Galvanization



Weight	900g
Screw	M12*50
Purpose	Suit 48mm steel Tube
Surface Treatment	Galvanization



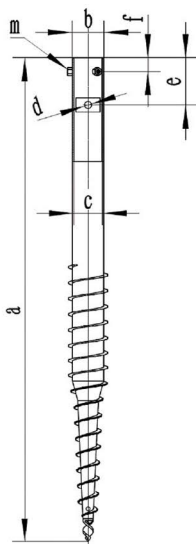
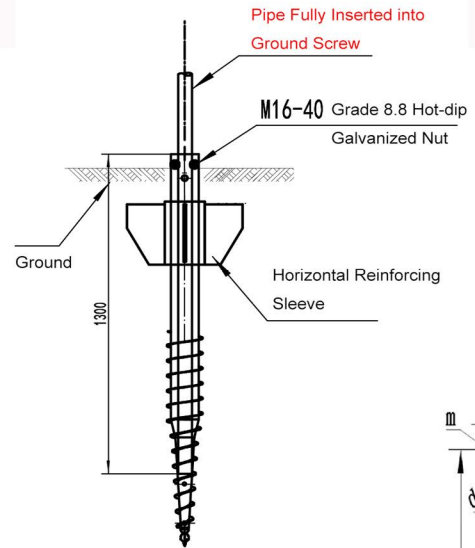
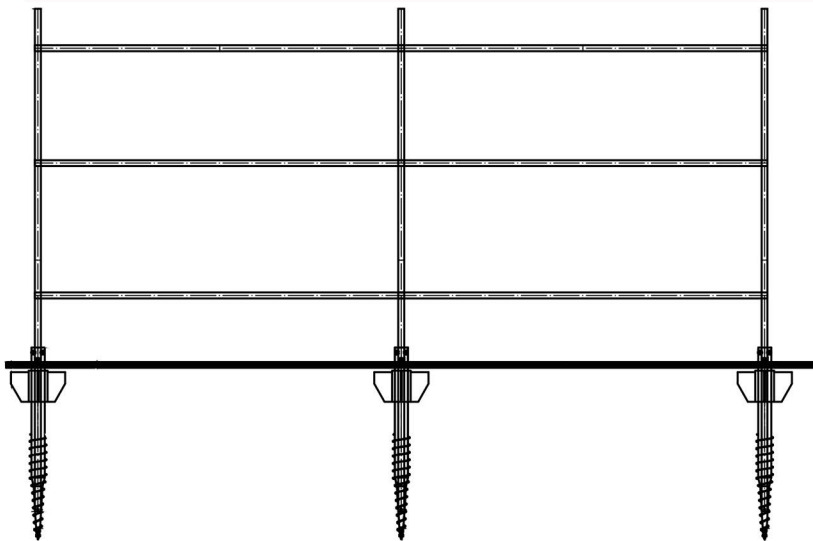
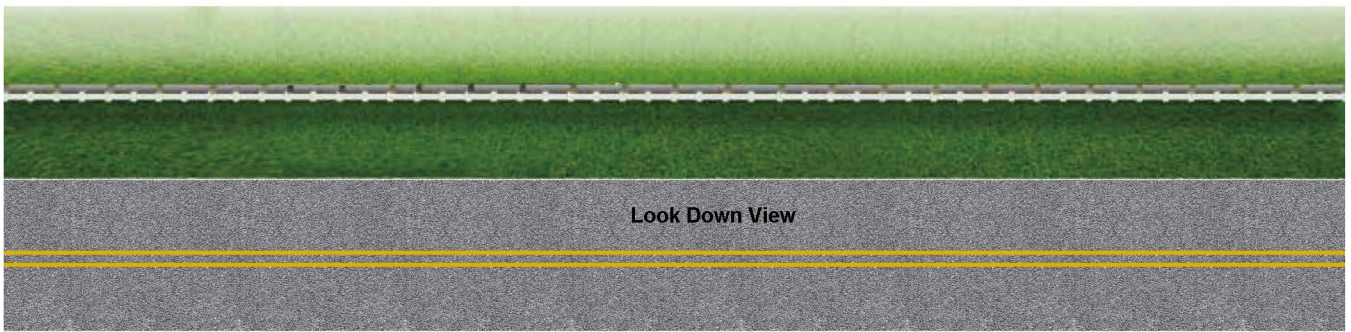
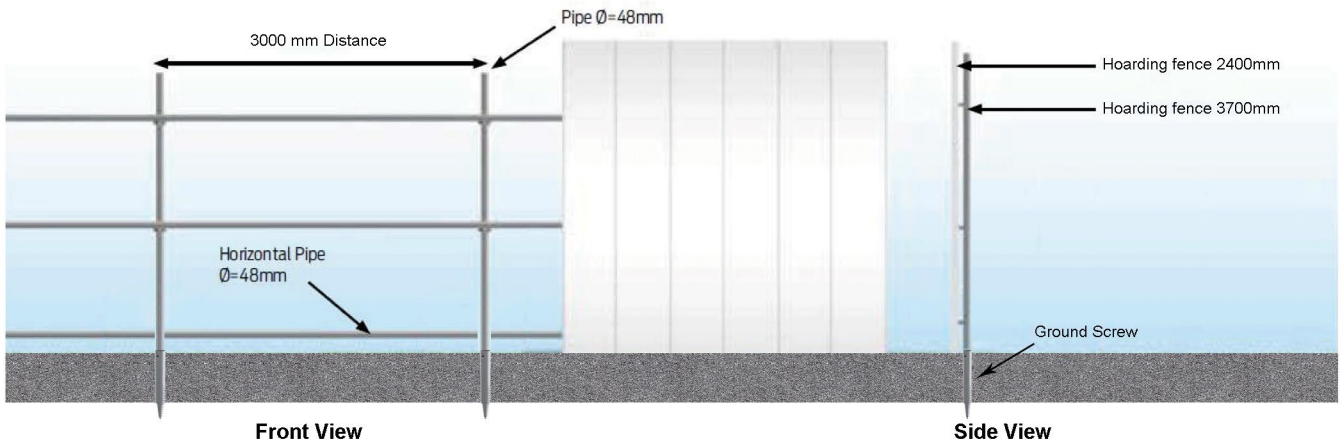
## 750 Hoarding Fence Installation Technical Guidance-Cement Pier



### Application scenarios



# 750 Hoarding Fence Installation Technical Guidance -Ground Screw



PARAMETERS(mm)		DLS YN 89×800-3M16/4-M12	DLS YN 89×1000-3M16/4-M12	DLS YN 89×1300-3M16/4-M12	DLS YN 89×1600-3M16/4-M12	DLS YN 89×2100-3M16/4-M12	DLS YN 89×2500-3M16/4-M12
a	Length	800	1000	1300	1600	2100	2500
b	Outer diameter	Φ89	Φ89	Φ89	Φ89	Φ89	Φ89
c	Inner diameter	Φ83	Φ83	Φ83	Φ83	Φ82	Φ82
d	Aperture	Φ18	Φ18	Φ18	Φ18	Φ18	Φ18
e	Margin	80	80	80	80	80	80
f	Margin	35	35	35	35	35	35
m	Nut	3-M16 (4-M12)	3-M16 (4-M12) (4-M116)	3-M16 (4-M12)	3-M16 (4-M12)	3-M16 (4-M12)	3-M16 (4-M12) (4-M116)